

2 PIECES BALL VALVE WITH ISO 5211 MOUNTING PAD

ISO 9001:2008
BUREAU VERITAS
Certification



Size : DN 1/4" to 3"
Ends : Female BSP
Min Temperature : - 20°C
Max Temperature : + 200°C
Max Pressure : 63 Bars
Specifications : PTFE+FKM gaskets on stem
PTFE filled with glass seat
Anti blow-out stem
Atex
ISO 5211 mounting pad

Materials : Stainless steel

2 PIECES BALL VALVE WITH ISO 5211 MOUNTING PAD

SPECIFICATIONS :

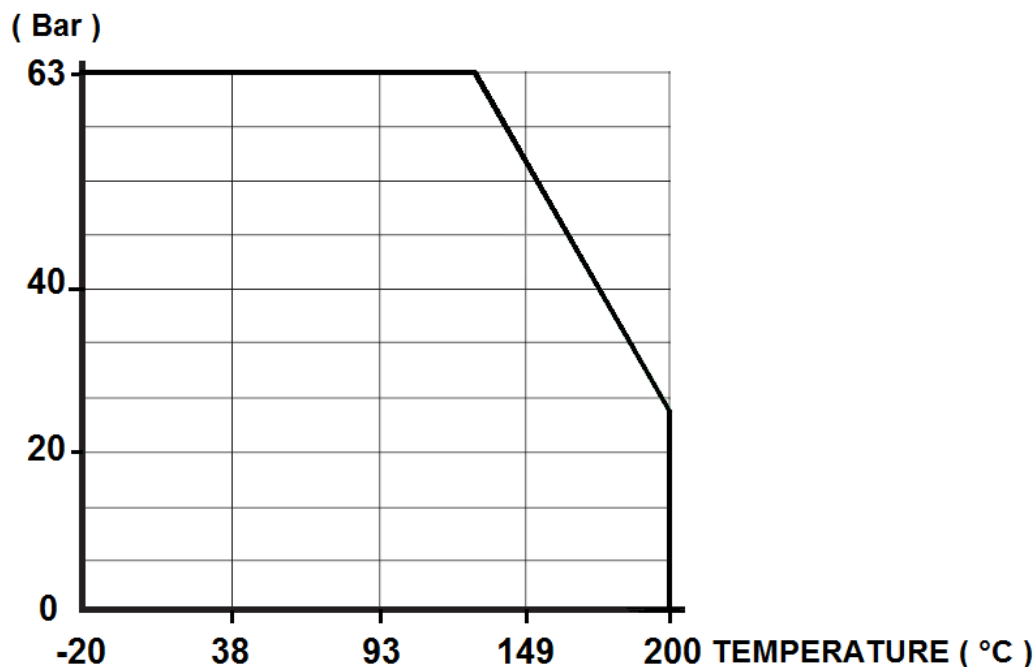
- Full bore
- Anti blow-out stem
- PTFE filled with glass seat
- Locking handle
- Atex
- PTFE+FKM gaskets on stem
- 2 pieces type
- Solid ball
- ISO 5211 mounting pad

USE :

- For all common fluids
- Steam : 11 bars maxi
- Min and max Temperatures Ts : -20°C to + 200°C
- Max Pressure PN : 63 bars (see graph)

PRESSURE / TEMPERATURE GRAPH (STEAM EXCLUDED) :

PRESSURE



RANGE :

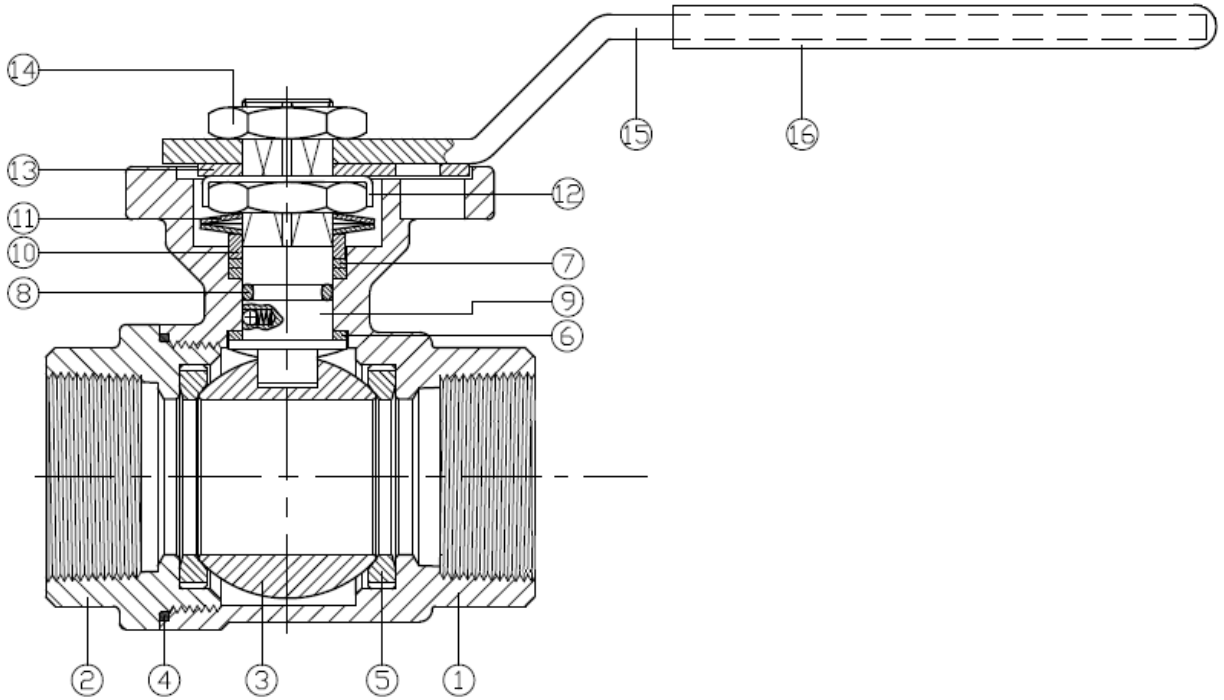
- 2 pieces stainless steel ball valve BSP threaded with ISO 5211 mounting pad **Ref. 733** from DN 1/4" to DN 3"

ENDS :

- Female / female cylindrical BSP threaded

2 PIECES BALL VALVE WITH ISO 5211 MOUNTING PAD

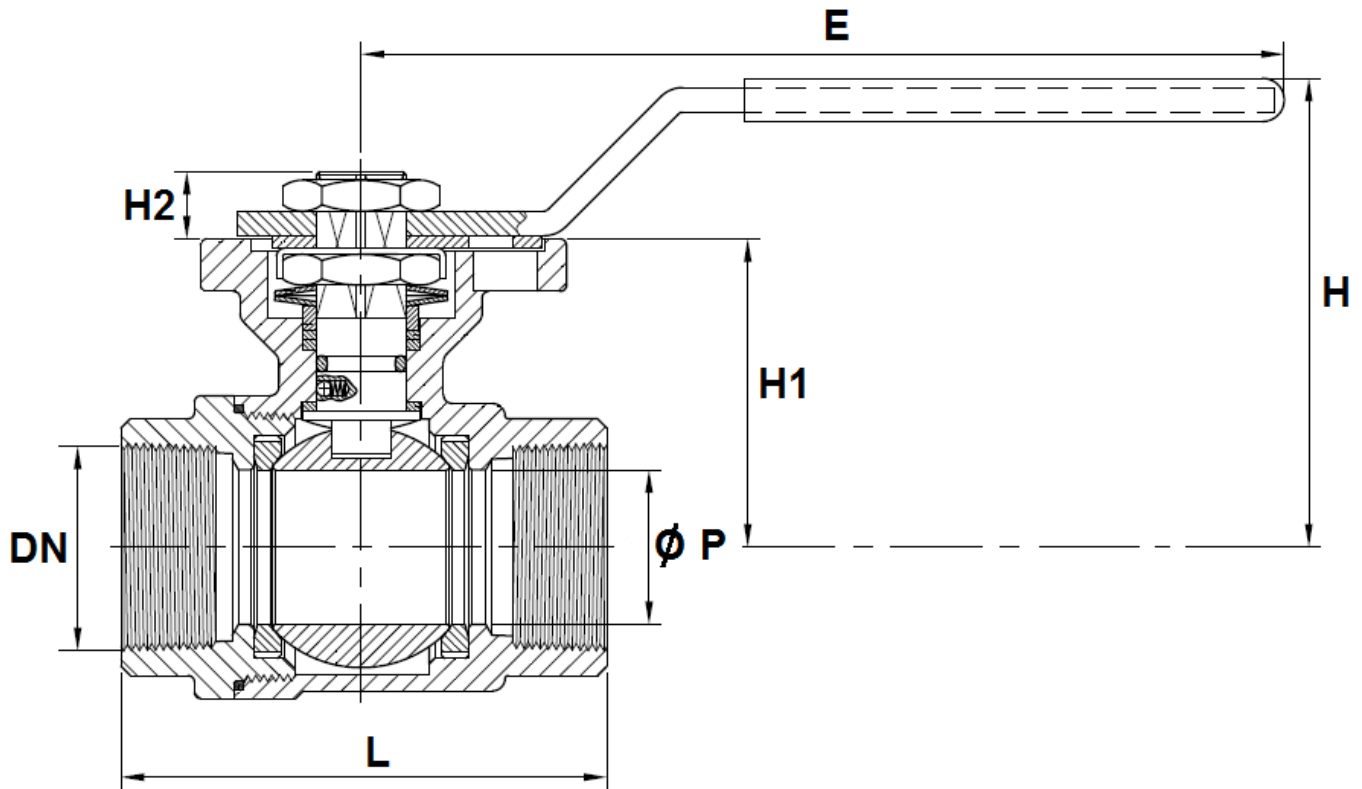
MATERIALS :



| Item | Designation | Materials |
|------|----------------|------------------------|
| 1 | Body | ASTM A351 CF8M |
| 2 | Bonnet | ASTM A351 CF8M |
| 3 | Ball | ASTM A351 CF8M |
| 4 | Body gasket | PTFE |
| 5 | Seat | PTFE filled with glass |
| 6 | Gasket | PTFE |
| 7 | Packing | PTFE |
| 8 | O ring | FKM |
| 9 | Stem | ASTM A276-316 |
| 10 | Ring | SS 304 |
| 11 | Elastic ring | SS 301 |
| 12 | Stop washer | SS 304 |
| 13 | Locking device | SS 304 |
| 14 | Stem nut | SS 304 |
| 15 | Handle | SS 304 |
| 16 | Handle cover | PVC |

2 PIECES BALL VALVE WITH ISO 5211 MOUNTING PAD

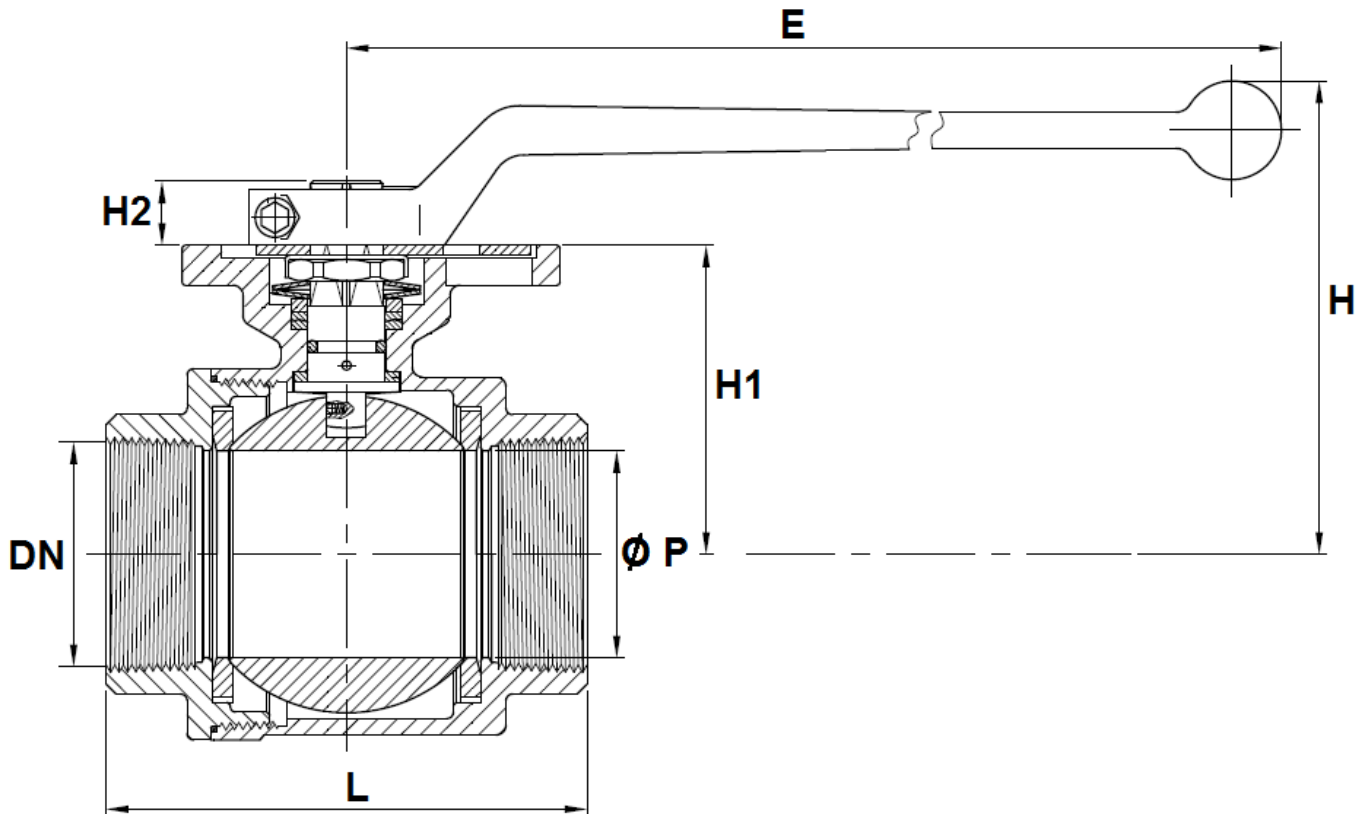
SIZE DN 1/4" – 2" (in mm) :



| Ref. | DN | 1/4" | 3/8" | 1/2" | 3/4" | 1" | 1"1/4 | 1"1/2 | 2" |
|------|---------------|-------|-------|-------|-------|------|-------|-------|-------|
| 733 | Ø P | 11.6 | 12.7 | 15 | 20 | 25 | 32 | 38 | 50 |
| | L | 58 | 58 | 58 | 65.6 | 78.7 | 90 | 105 | 124 |
| | E | 113.5 | 113.5 | 113.5 | 113.5 | 140 | 140 | 172 | 172 |
| | H | 62 | 62 | 62 | 65 | 76 | 81.5 | 103 | 111.5 |
| | H1 | 36.4 | 36.4 | 36.4 | 39.2 | 48.7 | 54.2 | 65.7 | 75.5 |
| | H2 | 8 | 8 | 8 | 9 | 11 | 11 | 11.5 | 11.5 |
| | Weight (Kg) | 0.4 | 0.4 | 0.4 | 0.5 | 0.8 | 1.2 | 2 | 2.9 |

2 PIECES BALL VALVE WITH ISO 5211 MOUNTING PAD

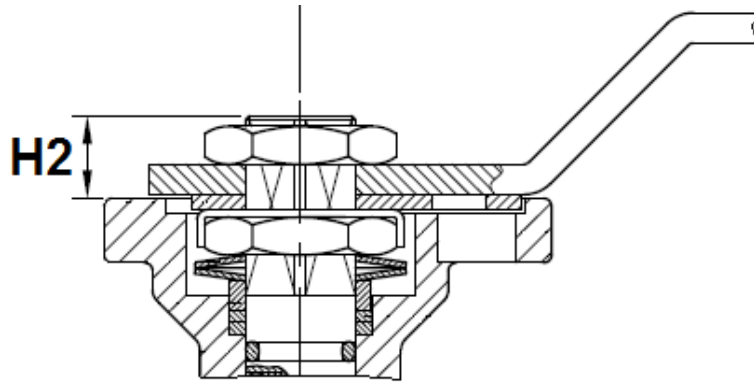
SIZE DN 2"1/2 – 3" (in mm) :



| Ref. | DN | 2"1/2 | 3" |
|------|---------------|-------|--------|
| 733 | Ø P | 63 | 76 |
| | L | 146.2 | 163.7 |
| | E | 325 | 325 |
| | H | 141 | 150 |
| | H1 | 91.5 | 100.75 |
| | H2 | 20.5 | 20.5 |
| | Weight (Kg) | 6 | 7.2 |

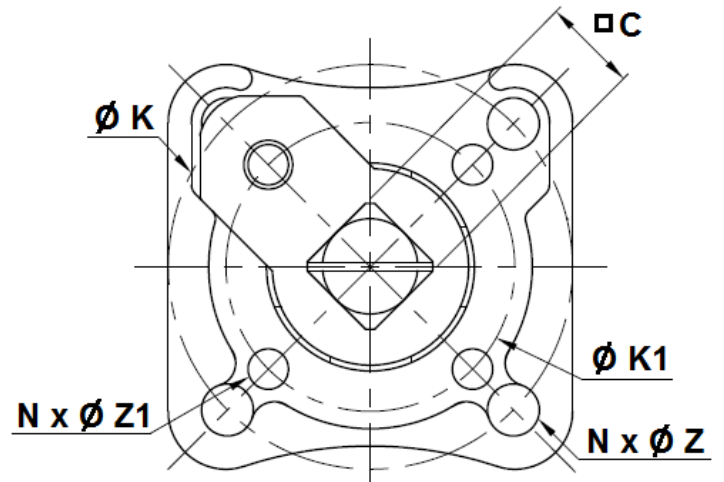
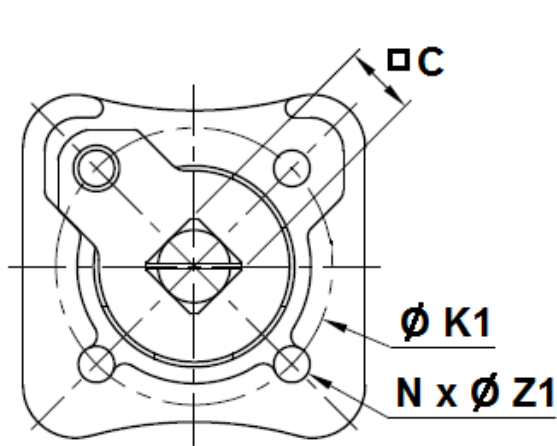
2 PIECES BALL VALVE WITH ISO 5211 MOUNTING PAD

STEM AND ISO 5211 MOUNTING PAD SIZE (in mm) :



DN 1/4" – 1"1/4

DN 1"1/2 - 3"



| Ref. | DN | 1/4" | 3/8" | 1/2" | 3/4" | 1" | 1"1/4" | 1"1/2" | 2" | 2"1/2" | 3" |
|------|----------|---------|---------|---------|---------|---------|---------|--------|-------|--------|--------|
| 733 | H2 | 8 | 8 | 8 | 9 | 11 | 11 | 11.5 | 11.5 | 20.5 | 20.5 |
| | C | 9 | 9 | 9 | 9 | 11 | 11 | 14 | 14 | 17 | 17 |
| | Ø K | - | - | - | - | - | - | 70 | 70 | 102 | 102 |
| | ISO | - | - | - | - | - | - | F07 | F07 | F10 | F10 |
| | Ø K1 | 36 | 36 | 36 | 36 | 42 | 42 | 50 | 50 | 70 | 70 |
| | ISO1 | F03 | F03 | F03 | F03 | F04 | F04 | F05 | F05 | F07 | F07 |
| | N x Ø Z | - | - | - | - | - | - | 4 x 9 | 4 x 9 | 4 x 11 | 4 x 11 |
| | N x Ø Z1 | 4 x 5.5 | 4 x 5.5 | 4 x 5.5 | 4 x 5.5 | 4 x 5.5 | 4 x 5.5 | 4 x 7 | 4 x 7 | 4 x 9 | 4 x 9 |

2 PIECES BALL VALVE WITH ISO 5211 MOUNTING PAD
TORQUE VALUES (in Nm without safety coefficient) :

| DN | 1/4" | 3/8" | 1/2" | 3/4" | 1" | 1"1/4 | 1"1/2 | 2" | 2"1/2 | 3" |
|---------------|------|------|------|------|----|-------|-------|----|-------|----|
| Torque (Nm) | 5.5 | 5.5 | 5.5 | 7.5 | 11 | 15 | 20 | 40 | 60 | 85 |

FLOW COEFFICIENT Kvs (M3 / h) :

| DN | 1/4" | 3/8" | 1/2" | 3/4" | 1" | 1"1/4 | 1"1/2 | 2" | 2"1/2 | 3" |
|--------------|------|------|------|------|----|-------|-------|-----|-------|------|
| Kvs (m3/h) | 19 | 23 | 34 | 62 | 98 | 170 | 247 | 427 | 696 | 1043 |

STANDARDS :

- Fabrication according to ISO 9001 : 2008
- DIRECTIVE 97/23/CE : CE N° 0035
Risk Category II module H
- Tests according to API 598, table 6
- Female cylindrical BSP threaded ends according to ISO 7/1 Rp
- ATEX Group II Category 2 G/2D Zone 1 & 21 Zone 2 & 22 (optional marking)

ADVICE : Our opinion and our advice are not guaranteed and SFERACO shall not be liable for the consequences of damages.
The customer must check the right choice of the products with the real service conditions.

2 PIECES BALL VALVE WITH ISO 5211 MOUNTING PAD**INSTALLATION AND MAINTENANCE****BEFORE INSTALLATION :**

Pipe-line must be cleaned and free from residual of weldings, rubbish, shaving and every kind of extraneous materials.
Pipe-line must be perfectly aligned and their support properly dimensioned so that there's no external constraint.

Please use the right product according to the services conditions to seal the valve.
Use the right bolt tightening so that the ends won't be damaged.

CLEANING AND TESTS

Keep closed the valves during the cleaning operation so that there's no impurities between the ball and the body.

Tests under pressure must be done with a cleaned pipe-line.

Open partially the valve for tests. Pressure test do not exceed the valve specifications according to API 598.

MAINTENANCE

It's recommended to operate the valve twice (open and close) 1 to 2 times per year.

When intervention on the valve, be sure there's no pressure in the pipe-line, there's no fluid in it, and that it is isolated.
The temperature must be low enough to operate without risks.
If there's a corrosive fluid, inert installation before intervention.

When the valve is under pressure :

If there's a leakage at the packing, tighten it slightly so that the leakage disappears.